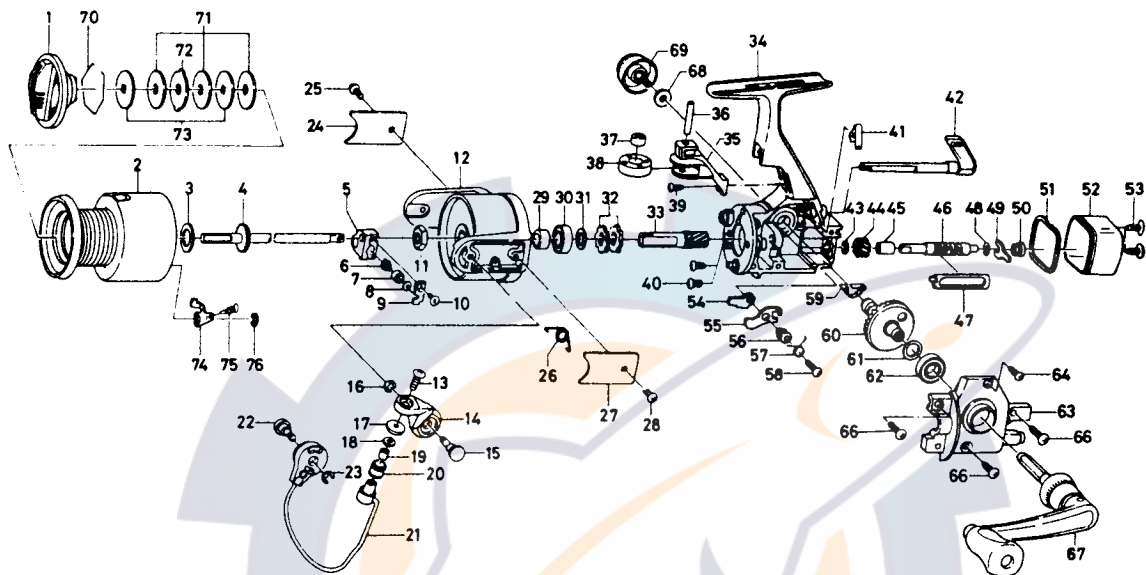




SPINNING REEL TG700H



Key No.	Parts No.	Parts Name	Key No.	Parts No.	Parts Name
1	E29-8102	Drag knob	39	E02-7401	Bail kick knock screw
2	E29-7702	Spool assembly	40	E10-7401	Bearing retainer screw
3	E13-5901	Spool washer	41	E26-8701	Anti-reverse cam spring
4	E29-7501	Main shaft assembly	42	E29-5902	Anti-reverse lever
5	E29-6201	Oscillating slider	43	B33-9801	Worm shaft gear retainer
6	E12-2401	Oscillating pawl	44	F00-5401	Worm shaft gear
7	E12-4601	Oscillating pawl bush	45	E29-6501	Worm shaft bush
8	375-0800	Oscillating pawl washer	46	E29-6401	Worm shaft
9	E11-6801	Oscillating slider cover	47	E29-6301	Worm shield cover
10	E15-0202	Oscillating slider cover screw	48	373-1300	Worm shaft washer
11	341-9201	Rotor nut	49	E29-6701	Worm shaft retainer
12	E13-0604	Rotor	50	E29-6601	Worm shaft collar
13	B67-9302	Line roller screw	51	E29-7301	Water shield
14	B73-1501	Bail arm	52	E29-7102	Rear cover
15	E11-6101	Bail arm screw	53	E24-7401	Rear cover screw
16	320-5901	Bail arm screw retainer	54	B95-9301	Anti-reverse pawl plate
17	B45-1501	Line roller collar	55	E27-1301	Anti-reverse pawl
18	B55-4301	Line roller washer	56	B95-9501	Anti-reverse pawl collar
19	B97-9801	Line roller bushing	57	B95-9602	Anti-reverse pawl spring A
20	250-3921	Line roller	58	B00-8601	Anti-reverse pawl screw
21	E31-3301	Bail	59	E29-6901	Anti-reverse pawl spring B
22	E22-5501	Bail trip cam screw	60	E34-1501	Drive gear
23	320-5901	Bail trip cam screw retainer	61	375-8500	Drive gear washer
24	E13-0301	Bail trip cover	62	634-1300	Ball bearing B
25	B93-3001	Bail trip cover screw	63	E29-7002	Left side cover
26	E13-0701	Bail spring	64	E11-9602	Side cover screw A
27	E13-0301	Bail spring cover	66	E13-0501	Side cover screw B
28	B93-3001	Bail spring cover screw	67	E31-3101	Handle assembly
29	E29-7401	Spacing sleeve	68	B92-4902	Handle lock washer
30	634-1301	Ball bearing A	69	E31-1401	Handle lock screw
31	E29-6101	Ball bearing retaining washer	70	171-7701	Drag washer retainer
32	E27-1501	Anti-reverse ratchet	71	E13-6001	Drag washer
33	F00-5301	Pinion gear	72	E13-6201	Eared washer
34	E31-2902	Body	73	E13-6101	Key washer
35	E12-9402	Bail kick knock	74	E13-2102	Click pawl
36	E11-4801	Bail kick roller pin	75	B61-8801	Click spring
37	E11-4701	Bail kick roller collar	76	320-5901	Click retainer
38	E11-4604	Bail kick roller			